

Mink

MM 1104 – 1322 AP



MM 1144 AP

Description

The Busch Mink MM Series positive displacement pressure pumps feature a compact rotary claw design that is air cooled, dry-running and non-contacting. These features along with quality construction results in a pump that offers extremely high reliability and a long service life.

Maintenance-Free

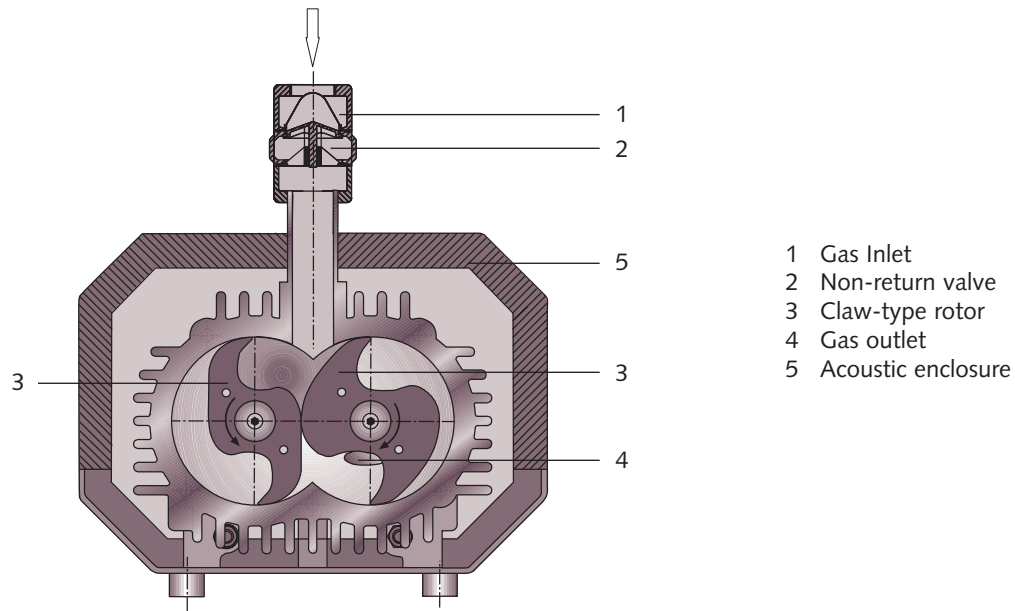
Non-contacting Design – eliminates internal wear and parts to replace
Air Cooling – no water levels to check and no cooling system to maintain
Dry-Running – no sealing or lubricating oil is needed in the pumping chamber, so there is minimal maintenance

Economical

Operating costs are low because of the maintenance-free design and the reduced power requirements made possible by the Mink's high volumetric efficiency along with a non-contacting pumping chamber.

Dry Rotary Claw Pressure Pumps

Operating Principle



Operating Principle

Inside the pump housing, two claw shaped rotors take in air as they rotate in opposite directions. The air is compressed by the rotors, then discharged through a silencer to atmosphere. The non-return valve incorporated into the inlet flange prevents air from back flowing into the

pumping chamber when the pump is turned off. Mink MM dry rotary claw pressure pumps are directly driven by a flanged motor, and the two rotors are synchronized by gears. A wide range of accessories allows optimum adaptation to many applications.

Applications

Busch Mink MM dry rotary claw pressure pumps are used across a broad range of industries for many different applications and are well suited to applications where dust particles may be present. Mink MM pressure pumps are especially suited to:

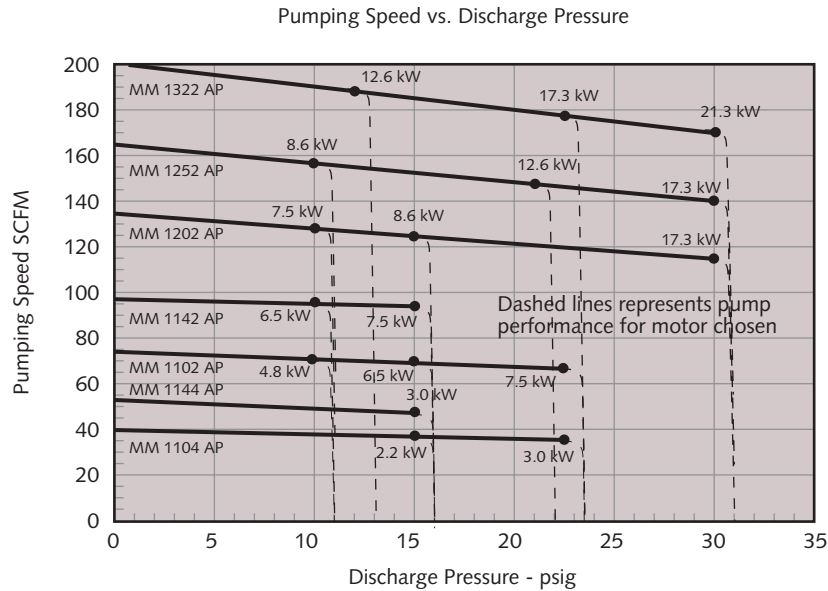
Beverage Industry

Environmental Technology

Pneumatic Conveying

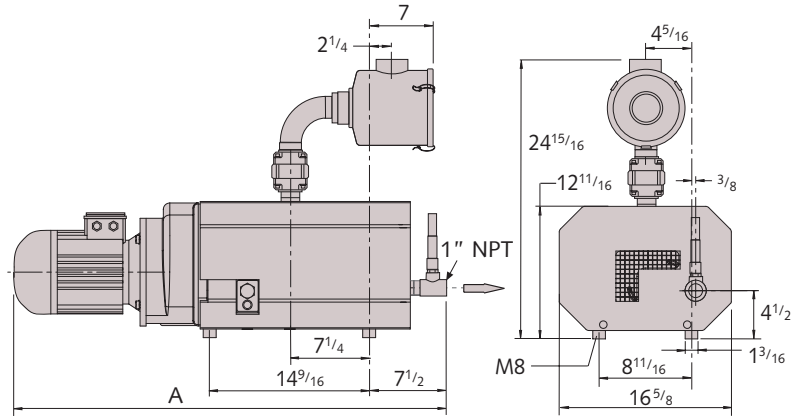
Printing Industry

Technical Data

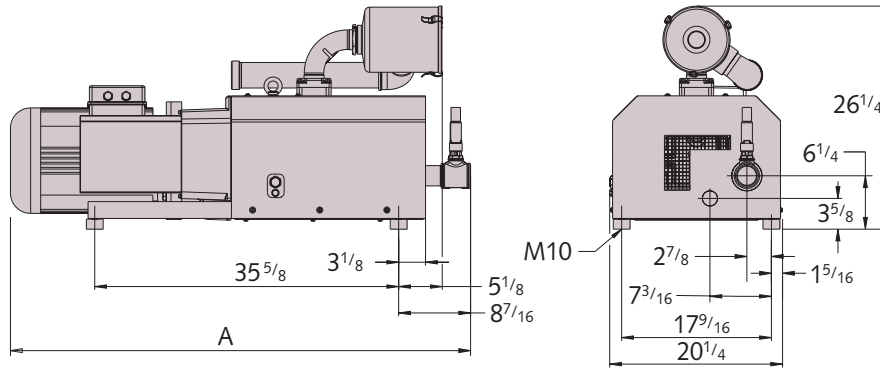


Technical Data	Nominal pumping speed SCFM	Free air displacement CFM	Motor Size kW (Hp)	Nominal motor speed RPM	Maximum pressure psig	Relief valve cracking pressure psig	Sound rating dBA	Weight approx. Lbs	
Mink MM Model									
	1104 AP	40	43	2.2 (3.0)	1800	16	15	82	323
		40	43	3.0 (4.0)	1800	23.5	22.5	82	330
1144 AP	53	58	3.0 (4.0)	1800	16	15	83	337	
1102 AP	74	86	4.8 (6.5)	3600	11	10	86	350	
	74	86	6.5 (8.7)	3600	16	15	86	361	
	74	86	7.5 (10.0)	3600	23.5	22.5	86	383	
1142 AP	97	116	6.5 (8.7)	3600	11	10	87	367	
	97	116	7.5 (10.0)	3600	16	15	87	389	
1202 AP	135	142	7.5 (10.0)	3600	11	10	82	519	
	135	142	8.6 (11.5)	3600	16	15	82	519	
	135	142	17.3 (23.2)	3600	31	30	82	519	
1252 AP	165	177	8.6 (11.5)	3600	11	10	83	528	
	165	177	12.6 (16.9)	3600	22	21	83	528	
	165	177	17.3 (23.2)	3600	31	30	83	528	
1322 AP	200	218	12.6 (16.9)	3600	13	12	85	550	
	200	218	17.3 (23.2)	3600	23.5	22.5	85	550	
	200	218	21.3 (28.6)	3600	31	30	85	550	

Dimensions



Dimensions	MM 1104 AP	MM 1144 AP	MM 1102 AP	MM 1144 AP
A	40 ^{3/16}	40 ^{3/16}	41	41



Dimensions	MM 1202 AP	MM 1252 AP	MM 1322 AP
A	49 ^{1/4}	53 ^{3/8}	54

All dimensions in inches unless otherwise noted.



Busch - all over the world in industry

ISO 9001 Registered Company

Busch, Inc. 516 Viking Drive Virginia Beach, VA 23452
Phone (757) 463-7800 FAX (757) 463-7407

www.buschpump.com
1-800-USA-PUMP

Amsterdam Barcelona Birmingham Basel Brussels Dublin Göteborg Helsinki Istanbul Copenhagen Kuala Lumpur Milan Maulburg Melbourne Montreal Moscow
 New York New Plymouth Oslo Paris San Jose São Paulo Seoul Singapore Taipei Tokyo Vienna